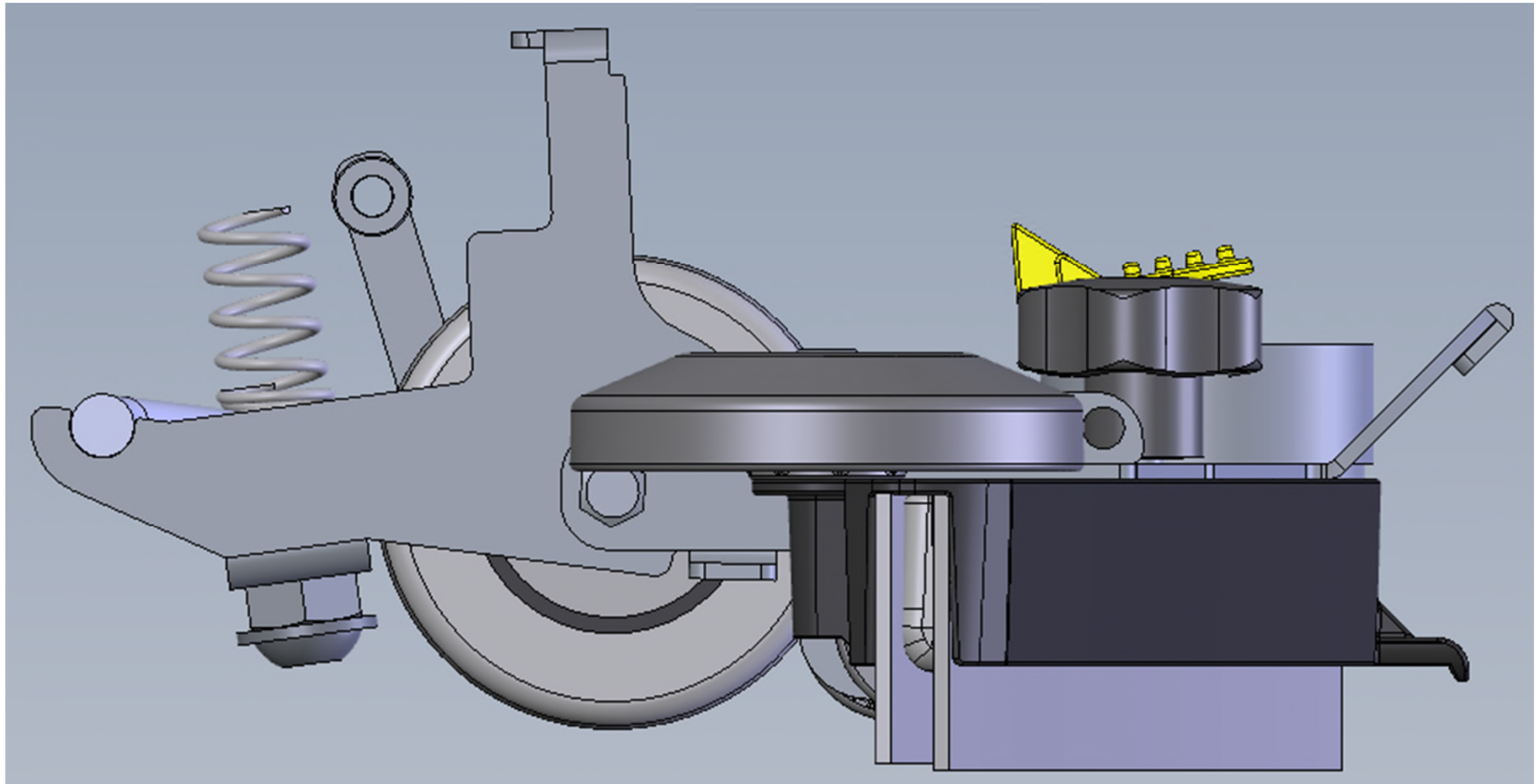
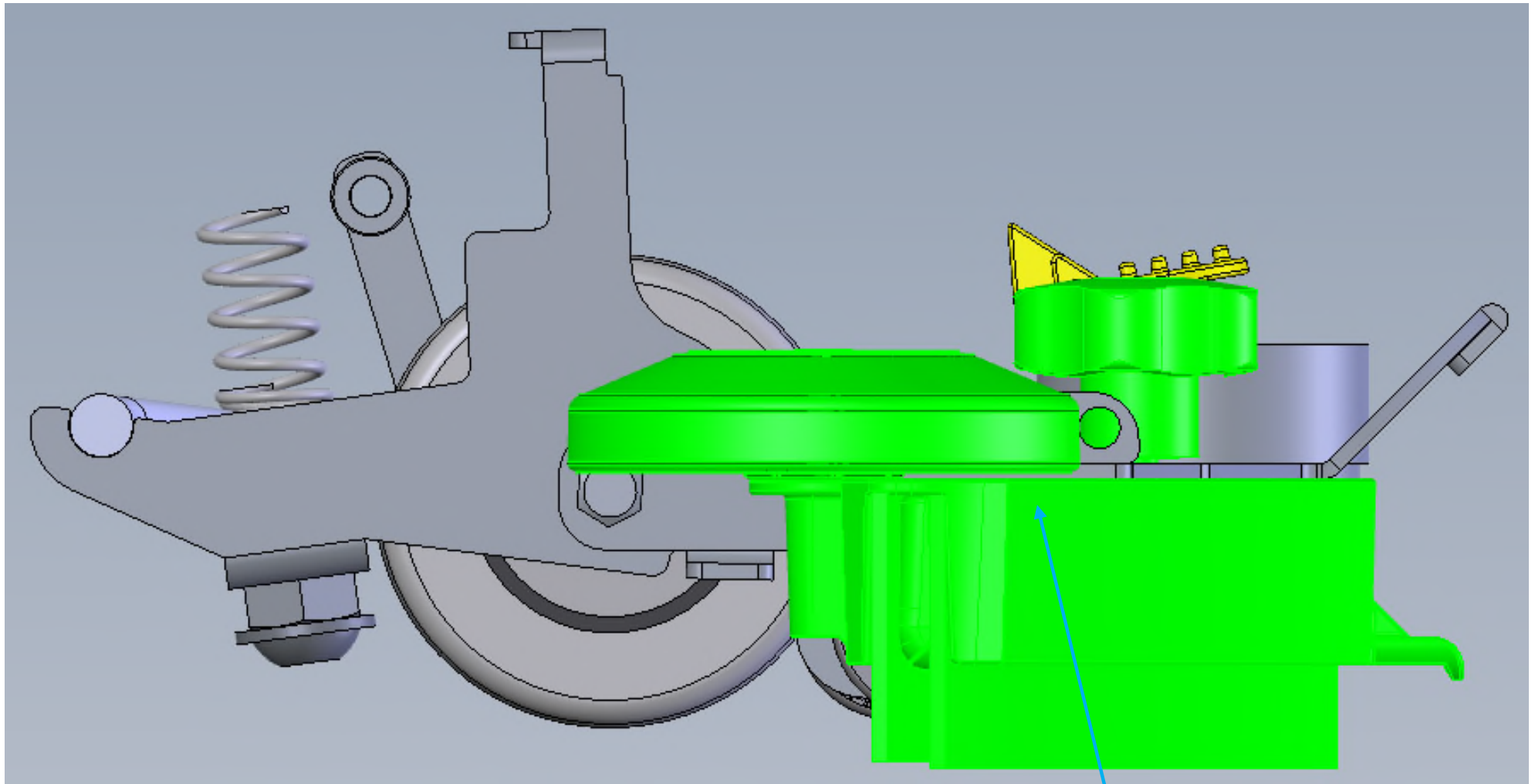
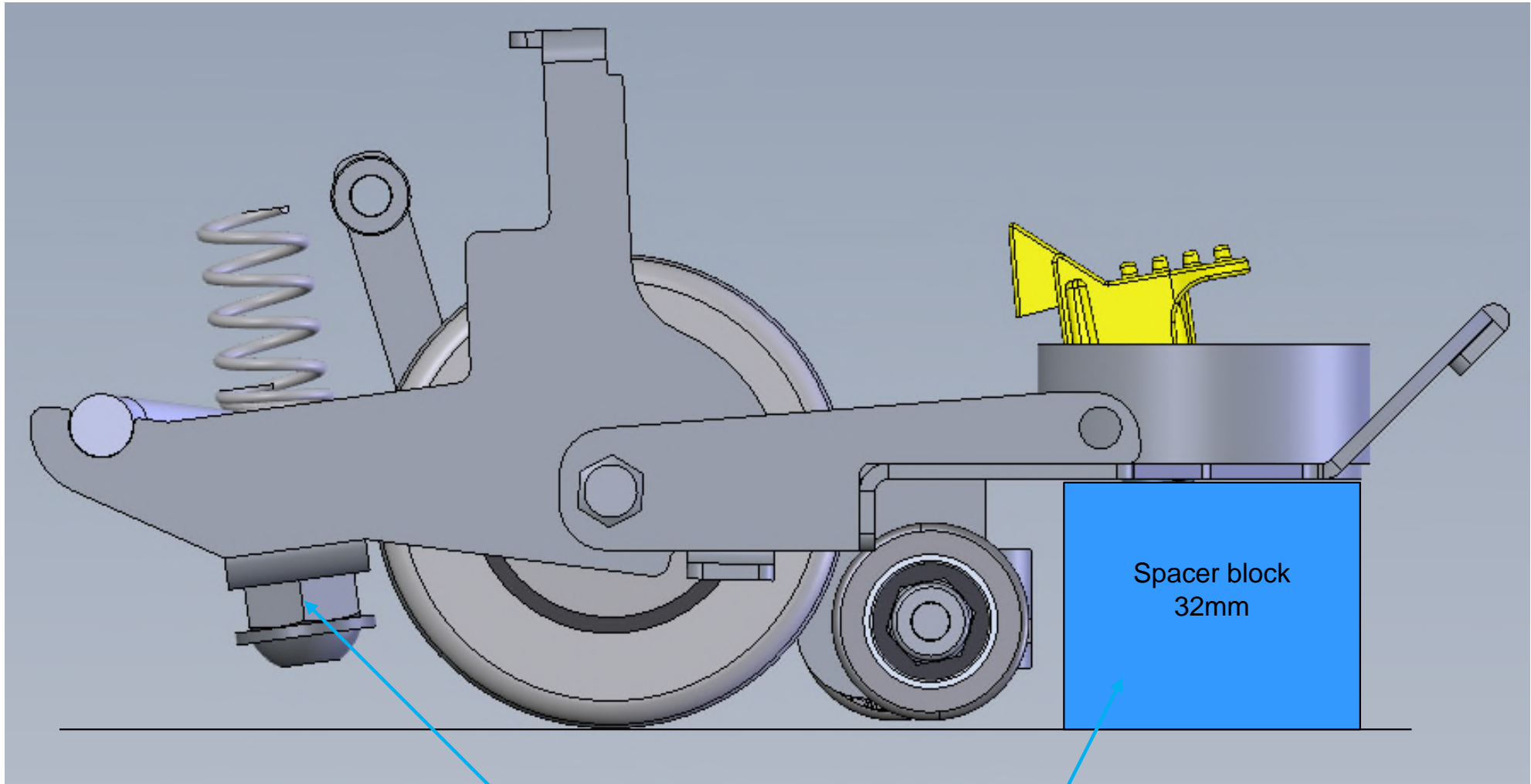


13.6 Squeegee roller adjustment





Dismantle the squeegee



If all rollers are on the floor, tighten the screws.

Place a 32 mm spacer block under the suction foot adapter.